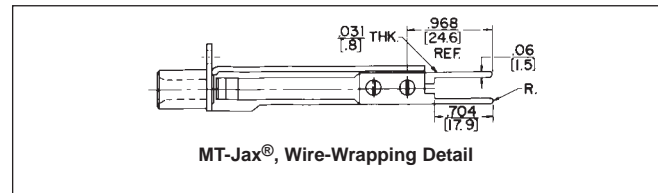
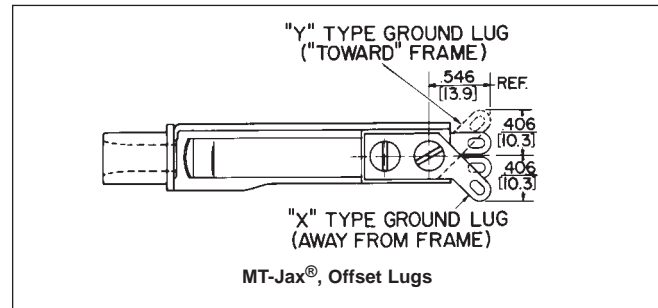
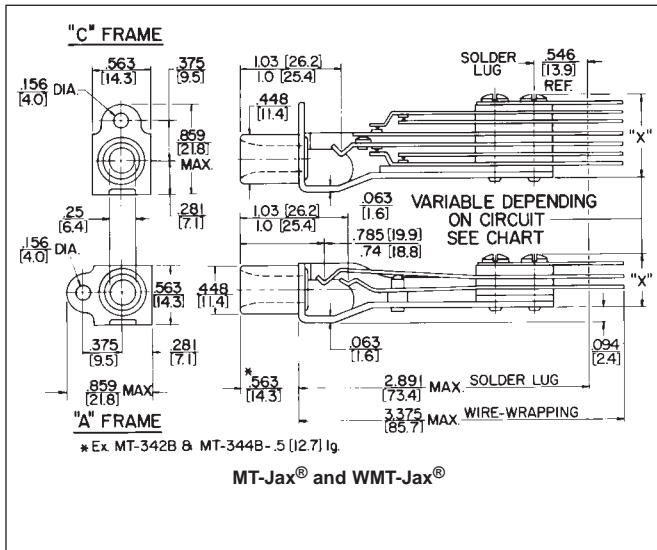


## LONG FRAME TELEPHONE JACKS



DIMENSIONS ARE FOR REFERENCE ONLY  $\frac{\text{Inch}}{\text{(mm)}}$

**NOTE:** Contact your Switchcraft Representative for price and delivery.